



E25 | Compact Excavators



Weights

Operating weight with ROPS canopy, rubber tracks, counterweight and bucket:	2441 kg
Additional weight for cab with heating	130 kg
Ground pressure with rubber tracks	30.20 kPa

Engine

Make / model	Kubota / D1105-E2B-BCZ-2
Fuel	Diesel
Number of cylinders	3
Displacement	1123 cm ³
Maximum net torque at 1400 RPM (SAE J1995)	71.2 Nm

Performance

Digging force, dipperstick (ISO 6015)	15800 N
Digging force, bucket (ISO 6015)	22200 N
Drawbar pull	30200 N
Travel speed, low range	2.4 km/h
Travel speed, high range	4.6 km/h

Hydraulic System

Pump type	Dual outlet variable displacement piston pump with gear pumps
Piston pump capacity	28.80 L/min
Auxiliary flow	48.00 L/min
Auxiliary relief	180.0 bar

Slew System

Boom swing, left	60°
Boom swing, right	60°
Slew rate	9.3 RPM

Fluid Capacities

Cooling system	4.60 L
Engine lubrication plus oil filter	5.10 L
Fuel reservoir	34.60 L
Hydraulic system	25.00 L

Environmental

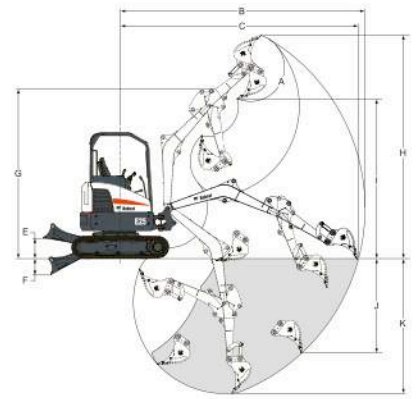
Noise level LpA(EU Directive 2000/14/EC)	77 dB(A)
Noise level LWA(EU Directive 2000/14/EC)	93 dB(A)
Whole body vibration (ISO 2631-1)	0.40 ms ⁻²
Hand-arm vibration (ISO 5349-1)	1.57 ms ⁻²

Standard Features

1400 mm dozer blade	Hydraulic joystick controls
250 mm rubber track	Lockable storage compartment
Auxiliary hydraulics with Quick Couplers	Radio/MP3 ready
Cab light	Seat
Clamp ready	Retractable seat belt
Control console locks	TOPS/ROPS* canopy ¹
Cupholder	Two-speed travel
Engine/hydraulic monitor with shutdown	Work lights (boom and upperstructure)
Fingertip auxiliary hydraulic control	Warranty: 12 months, 2000 hours (whichever occurs first)
Horn	

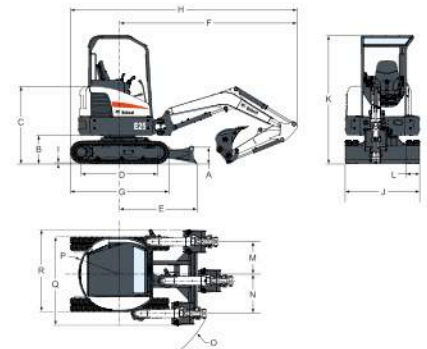
1. Roll Over Protective Structure (ROPS) – Meets requirements of ISO 3471. Tip Over Protective Structure (TOPS) – Meets requirements of ISO 12117.

Working Range



(A) 185°	(G) 3246.0 mm
(B) 4678.0 mm	(H) 4272.0 mm
(C) 4553.0 mm	(I) 3057.0 mm
(D) 2132.0 mm	(J) 1809.0 mm
(E) 385.0 mm	(K) 2582.0 mm
(F) 315.0 mm	

Dimensions



(A) 330.0 mm	(J) 1400.0 mm
(B) 536.0 mm	(K) 2412.0 mm
(C) 1456.0 mm	(L) 250.0 mm
(D) 1437.0 mm	(M) 614.0 mm
(E) 1462.0 mm	(N) 735.0 mm
(F) 3347.0 mm	(O) 1661.0 mm
(G) 1859.0 mm	(P) 770.0 mm
(H) 4276.0 mm	(Q) 1660.0 mm
(I) 25.0 mm	(R) 1539.0 mm

Options

Factory Options

- Auxiliary hydraulic line on arm
- Keyless start
- Auto idle
- TOPS/ROPS cab with heater
- 2nd Auxiliary hydraulics
- Suspension seat (vinyl)
- Deluxe textile suspension seat
- Boom safety valve
- Boom & arm safety valves
- Travel motion alarm
- Direct return to tank

Dealer Installed Accessories

- AM/FM stereo radio
- FOGS kit (Overhead guard)
- Beacon kit
- Left and right mirror kit
- Additional work light kit
- Fuel filter with transparent water separator

DOOSAN

Doosan Benelux S.A./N.V.

Drève Richelle167

1410 Waterloo

Tel.: +32 2 371 68 11 Fax: +32 2 371 69 00



www.bobcat.eu