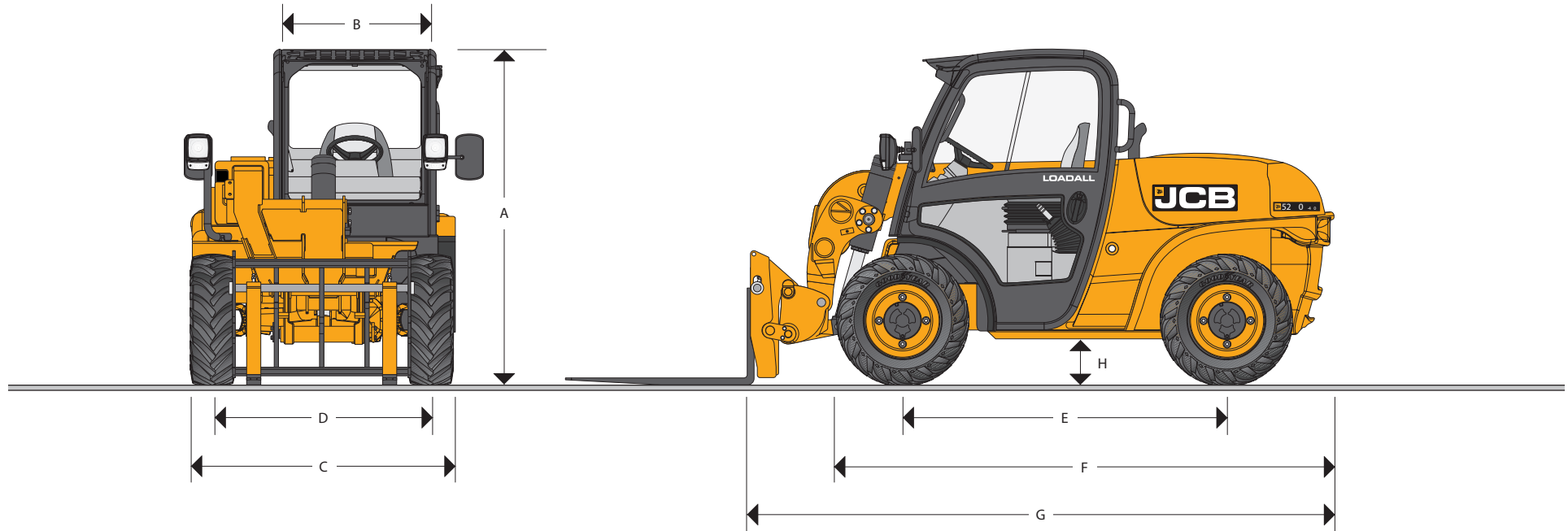


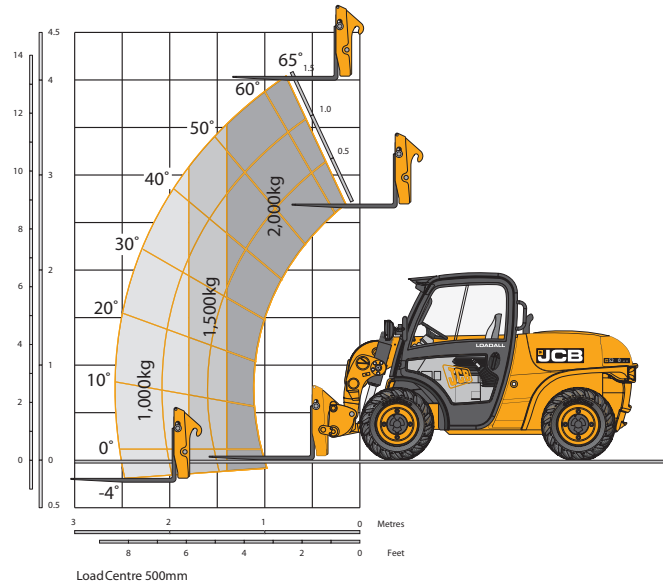
MAX. PAYLOAD: 2.0 tonnes (4409lb) MAX. LIFT HEIGHT: 4 metres (13ft 1in) MAX. HOR SEPOWER: 37.5 kW (50hp)


STATIC DIMENSIONS

| Machinemodel | 520-40 |
|---------------------------------------|-------------|
| | m (ft-in) |
| A Overall height | 1.97 (6-6) |
| B Insidewidth of cab | 0.92 (3-0) |
| C Width over tyres (min) | 1.56 (5-1) |
| D Front track | 1.29 (4-3) |
| E Wheel base | 1.90 (6-3) |
| F Overall length to front of tyres | 2.92 (9-6) |
| G Overall length to front of carriage | 3.38 (11-1) |

| Machinemodel | 520-40 |
|-----------------------------|---------------------|
| | m (ft-in) |
| H Ground clearance | 0.27 (0-11) |
| Outer tum radius over tyres | 3.05 (10-0) |
| Weight | kg (lb) 4400 (9700) |
| Tyres | 10x16.5 12 ply |
| | 12x16.5 10 ply |
| | 11.5/80x15.3 8 ply |

LIFT PERFORMANCE



LIFT PERFORMANCE

| Machine Model | | Compact Tool Carrier | Skid Steer Tool Carrier |
|------------------------------|------------|----------------------|-------------------------|
| | | 520-40 | 520-40 |
| Lift capacity at full height | kg (lb) | 2000 (4408) | 2000 (4408) |
| Lift capacity at full reach | kg (lb) | 1000 (2204) | 1000 (2204) |
| Max. lift height | mm (ft-in) | 4035 (13-3) | 4025 (13-2) |
| Reach at max. lift height | mm (ft-in) | 890 (2-11) | 815 (2-8) |
| Maximum reach forward | mm (ft-in) | 2590 (8-6) | 2515 (8-4) |

LOADER PERFORMANCE

| Machine Model | | Compact Tool Carrier | Skid Steer Tool Carrier |
|--------------------------------|----------------|----------------------|-------------------------|
| | | 520-40 | 520-40 |
| Shovel rated capacity | m ³ | 0.7 | 0.5 |
| Breakout force | kN (kg) | 36 (3700) | 33 (3390) |
| | kg (lb) | 3700 (8157) | 3400 (7495) |
| Dump height (max) | mm (ft-in) | 3555 (11-8) | 3500 (11-7) |
| Dump angle at max height | degrees | 33 | 40 |
| Load over height (max) | mm (ft-in) | 4015 (13-1) | 4015 (13-1) |
| Rollback angle at ground | degrees | 38 | 31 |
| Carrier rotation angle (total) | degrees | 140 | 140 |
| Bucket width | mm (ft-in) | 1750 (5-8) | 1730 (5-7) |

ENGINE

| | | 520-40 |
|----------------------------|------------|-----------------------------|
| Model | | PerkinsDiesel 404D-22 |
| Displacement | litres | 2.2 |
| Fuel | | Diesel |
| Cooling | | Liquid |
| Bore | mm | 84 |
| Stroke | mm | 100 |
| Gross power @ 2800 rpm | | |
| ISO 14396 | kW (hp) | 37.5 (50) |
| Gross torque @ 1300 rpm | | |
| ISO 14396 | Nm (lb/ft) | 143 (105.47) |
| Emissioncertification | | EC StageIIIA/USA EPA Tier 3 |
| Engineoil serviceintervals | | 500 hours |

TRANSMISSION

Hydrostatictransmission.

Closed loopvariabledisplacementpiston pumpand 2 speed bentaxis motor

Transmissioninchingfacility on operation of a combinèd inchingandbrakingpedal.

Front and rear drive axles: Epiçyclichubreductiontype with mid mountèd drop box. Permanent4WS and4WD.

– Rear axle oscillation.

– Optional front andrear limited slipdiff axles.

– Travel speed 20kph

BRAKES

Service brake: Hydraulicallyactivated, discbrake on the transmissionoutput shaft.

Parking brake: Manuallyoperated discbrake on the transmissionoutput shaft.

BOOM AND CARRIAGE

Boom is manufactured from hightensilesteel.

Low maintenance,hard wearingpads.

JCB tool carrier parallellift carriagewith manuabr hydraulicpinlockingaccepts forkframe with integral pallet forks and a wide range of attachments.

Compact Tool Carrier: Compact Loadallcompatibility.

Skid Steer Tool Carrier: Skidsteer universal compatibility hitch.

SERVICE CAPACITIES

| | | litres (UK gal) |
|----------------|--|-----------------|
| Fuel tank | | 61 (13.4) |
| Hydraulic tank | | 33 (7.3) |
| Coolant | | 8 (1.8) |

ELECTRICS

12 V negativeearth, 75 AH heavy duty battery. 65 ampalternator. Fullroad lightingdirectiveindicators, hazard warning.

HYDRA ULICS

| | | 520-40 |
|-------------------------------------|-----------|------------|
| Machinemodel | | 520-40 |
| Operatingsystem pressure | bar (psi) | 250 (3626) |
| Flow at system pressure (@ 2800rpm) | ltr/min | 60 |
| Cycle times | | seconds |
| Boom raise | | 5.8 |
| Boom lower | | 4 |
| Extend | | 5.7 |
| Retract | | 4 |
| Bucket dump | | 3.7 |
| Bucket crowd | | 3.2 |

SAFETY CHECK VALVES

Fitted to crowd, extensionandlift rams.

CAB

Quiet, safe and comfortable cab conforms to RO PS ISO3471 andFOPS ISO 3449. Tinted glassall round with laminated front and roof screen. Front, rear screen wash/wipeand heater/screen demister. Opening door window Visualwarningsystem for coolant temperature, engineoil pressure, air cleaner, battery charge, transmissionoil pressure, engine temperature, fuel gaugeand houmeter.

Boom control lever incorporating forward/reverse switch. Throttle and brake pedals floor mountèd. Adjustable deluxe suspension seat with sidemountèd park brake lever. Automaticeye level audio-visual load moment indicator warningsystem receiving a signal from a load sensor on the rear axle.

This system continuously monitors the machine's forward stability and leaves the operator in control at all times.

STEERING

Full power hydrostaticsteering. Permanent4WS with 32° lock front and rear axles provides exceptional manoeuvrability.

OPTIONS AND ACCESSORIES

Options: Work lights, rotating flashing beacon, fire extinguisher, limited slip diff front and rear axles, screen guard, sunblind, mechanical or hydraulic Compact tool carrier and Skid Steer tool carrier, battery isolator

Attachments: Contact your local dealer for details of the comprehensive range.