

WEIGHT CLASS

**7 TONNE**

| TB370 |



POWERFUL  
**COMPACT**  
EXCAVATOR



**takeuchi**  
Japanese for Reliability

# New TB370 - 7 tonne excavator designed for a popular weight class

The New TB370 combines all the proven characteristics of Takeuchi excavators - smooth hydraulics, powerful machine performance and great serviceability.

The TB370 is from the **new 3-series** of Takeuchi excavators, packed full of value-added features offered as standard for maximum safety and productivity.



## **TURBO POWER & LOW DPF EMISSIONS MAXIMUM BREAKOUT FORCE & REACH**

The TB370 meets all the very latest low emission standards with a low noise Stage V compliant engine.

The TB370 turbo charged engine combined with the Kawasaki hydraulic pump gives excellent efficiency and precise feel to the operator.

The new TB370 offers massive breakout force of 48.4kN for a 7-tonne excavator and maximum operating parameters: ground level reach of 6565mm, digging depth of 4085mm and dump height 4545mm.

**STAGE V** ✓  
**READY**



### ENHANCED FEATURES

Boom and arm holding valves are factory fitted for added safety in the event of a hose burst failure, an audible warning lift alarm is standard for craning.

The TB370 comes ready installed with steel hydraulic hitch pipework and electrics. Dual flow hydraulic lines operated by variable sliders on both levers, for smooth control of variable flow and detent to accommodate a wide range of attachments.

Auxiliary flows are adjustable from the touchscreen control panel with pre-set modes to match all types of attachment.

The TB370 has matching TB290 pin and link dimensions, so all attachments are interchangeable.



In all applications Takeuchi have a reputation for smoothness of operation, reliability and comfort for the operator.

Takeuchi achieve this with highly engineered components designed for longevity of all Takeuchi excavators.

A powerful addition to the fleet the TB370 fits between the current models TB260 & TB290.

Whatever the application Takeuchi have a machine to match.

**With a reputation for reliability, Japanese build quality makes all the difference.**

## ROBUST SITE PROTECTION

Cast steel wraparound counterweight and 100% all steel panels provide robust protection.

Fitted with hose burst check valves with protection guard as standard.

The hydraulic hoses are well positioned to prevent damage.

All around LED lights are well protected and mirrors enhance on-site visibility. The new style glare free LED lighting helps prevent rear dazzle.

A rear camera is standard on the TB370 for maximum visibility on busy sites.

The TB370 comes with **TSS** Takeuchi Security System as standard. Includes 1 red master key, 3 black user keys and can programme up to 13 black user keys.



## PERFORMANCE

- Automatic step-down travel motors provide torque on demand when pushing, climbing, or turning in high speed mode.
- With auto deceleration and alternative working modes, the TB370 reduces emissions and fuel usage

## OPERATION

- Pilot operated joystick controls deliver precise responsive operation.
- Added cab space allows the operator to be comfortable throughout the workday.
- Foldable foot pedal extensions fully support the operators' feet when using the travel function.

Maximum Digging Depth 4085mm

Maximum Dumping Height 4545mm

Maximum Reach - Ground Level 6565mm

Maximum Vertical Digging Depth 3815mm

Maximum Bucket Digging Force 48.4kN

Maximum Arm Digging Force 29.4kN

## REDUCED TAIL SWING

The compact TB370 features a shorter than average tail swing compared to conventional 7-tonne excavators.

Just 1480mm and therefore 455mm overhang at 90° to track and rounded corners helps to minimise potential machine damage in restricted areas.



## RELIABLE TRACK DESIGN

5x triple flange bottom rollers, maintenance-free bearings and large shaft all add to improved tracking performance on rough terrains for many hours of continuous service.

Quick track changeover minimises operator downtime and maximises longevity of tracks and roller.



## HEAVY DUTY FLOATING DOZER

The new TB370 features a heavy-duty dozer blade, 430mm high with float facility as standard for ease of grading.

The two-speed tracking automatically steps down when dozing.

The dozer blade cylinder is well protected.



## SAFETY

- Internal & External 'SAFE STEP' time delayed courtesy lighting.
- Full colour, auto activated rear view camera.
- Boom and arm holding safety valves as standard.
- Travel alarm as standard.

## OPTIONS

- Steel Tracks 400mm
- 2-Piece Boom
- Hydraulic Breaker TKB402-S





**MAXIMUM ALL DAY COMFORT WITH A HIGH VISIBILITY CAB**

The TB370 has a large, cab with increased operator functionality and all-round visibility with ROPS/FOPS that gives the operator maximum safety.

The large adjustable heated high back air-suspension seat provides maximum comfort for a whole day's shift.

The tool-free adjustable arm and elbow rests cater for different operating positions.

The cab has plenty of foot room and an extended foot pedal gives operators added control.

Maximum comfort comes with air-con climate control, retractable front window, removable lower glass (with in-cab stow facility), a large skylight with sunshade and rain-guard.

Electrics include DAB radio, bluetooth, MP3 socket and a 12v charging socket.

**The TB370 features the latest automotive styled Jog-Dial, for easier ergonomic control.**

The touch screen 8" interactive colour visual display unit rotates for operator preference and illuminates all active operating switch functions including: lift overload, power altitude, auto idle, auxiliary detection and the rear-view HD camera.



**SERVICEABILITY**

The new TB370 features a useful tilt-up cab that gives full access to the control valves, hydraulic pipework and rear engine components.

With easy access to all parts under the styled all steel engine hood and side gull-wing cover, plant fitters and engineers get unparalleled access to engine and hydraulic components. Easier machine maintenance, all accessible at ground level.

Hydraulic and fuel site gauges are easily visible. The hydraulic changeover valve is easily accessible.

Compactly stored away is the easy retractable electric refuelling pump, with auto shut off and suction filter for added safety when refuelling.

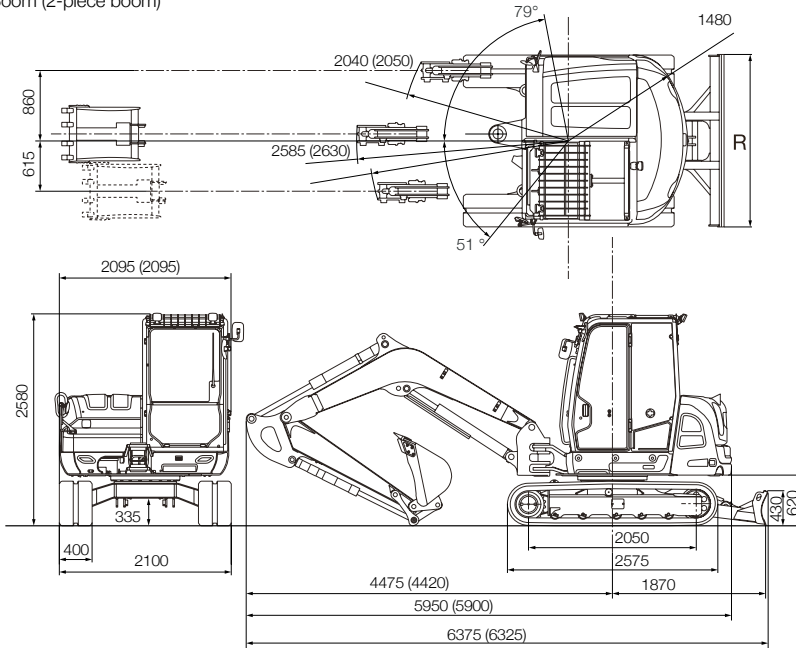
**TFM - TAKEUCHI FLEET MANAGEMENT**

Takeuchi Fleet Management is designed to help you better manage your fleet and lower your overall operating costs.

**MINIMISE DOWNTIME • REMOTE DIAGNOSTICS • UTILISATION TRACKING • PROACTIVE MAINTENANCE**

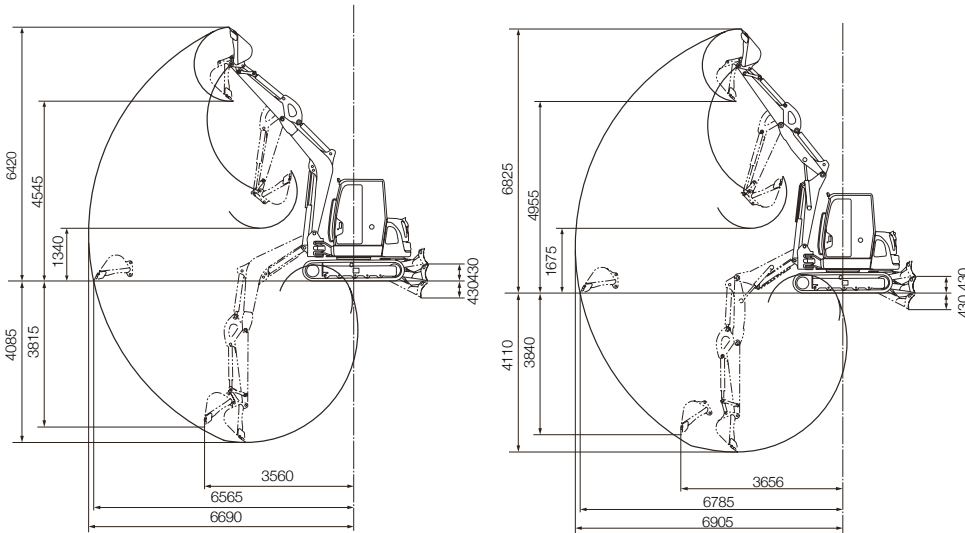


All measurements are in mm.  
Mono Boom (2-piece boom)

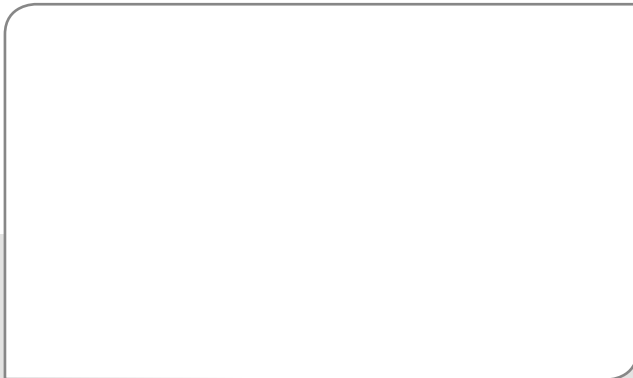


Mono Boom

2-piece boom



**For more information locally**  
call us direct, or contact:



Takeuchi Mfg (UK) Ltd, Unit E2B Kingsway Business Park,  
John Boyd Dunlop Drive, Rochdale, Lancashire OL16 4NG  
Tel: 01706 657 722 Fax: 01706 657 744

Southern Depot at 20 Colthrop Business Park  
Colthrop Lane, Thatcham, Newbury, Berks RG19 4NB  
Tel: 01635 877 196 Fax: 01635 877 195

www.takeuchi-mfg.co.uk Email: sales@takeuchi-mfg.co.uk

## TB370

Standard UK Spec – Long-Arm Mono Boom - Rubber Tracks  
Optional: (2-piece Boom - Steel Tracks)

Engine	
Make	Kubota
Model	V2607-CR-TE5B
Rated Output (kW)	42.4/2000
Maximum Torque (Nm)	213.4
Cylinders	4
Displacement (cc)	2615
Electrical System	12v - 90
Dimensions & Weight	
Op. Weight kg (bucket, hitch, fuel) Long-Arm (2-piece)	7001/7065
Length (Transporting) (mm) Long-Arm (2-piece)	5950 (5900)
Width (mm)	2100
Height (mm)	2580
Ground Clearance (mm)	335
Dozer Blade (W x H) (mm)	2100 x 430
Hydraulic System	
Main System Pressure (bar)	245
Pump Type	Kawasaki Variable & Double Gear
1st Auxiliary Maximum Flow (l/min) / Pressure (bar)	120/200
2nd Auxiliary Maximum Flow (l/min) / Pressure (bar)	46/200
Swing System	
Slew Radius (mm)	1480
Slew Speed (rpm)	8.8
Slew Motor	Constant Volume Piston
Slew Brake	Wet Friction Plate
Undercarriage	
Traction Motor	Variable Piston
Traction Drive	Planetary
Traction Brake	Wet Friction Plate
Track Width (mm)	400
Ground Contact Length (mm)	2050
Ground Pressure (kpa)	37 (39)
Travel Speed (km/h)	2.5 - 4.7
Maximum Gradeability	30°
Capacities	
Hydraulic System (l)	139
Fuel Tank (l)	110
Engine Lubrication (l)	9
Cooling System (l)	11
Operating Information	
	Long Arm (2-piece)
Max Digging Depth (mm)	4085 (4110)
Max Dump Height (mm)	4545 (4955)
Max Reach at Ground Level (mm)	6565 (6785)
Max Vertical Dig Depth (mm)	3815 (3840)
Max Bucket Digging Force (kN)	48.4
Max Arm Digging Force (kN)	29.4 (31.7)
Max Lift at Full Reach front (kg)*	792 (731)
Max Lift at Full Reach rear (kg)*	1017 (870)
Max Lift at Full Reach over side (kg)*	818 (639)
Max Lift rear/front/ (kg)*	4458 (3299)
Max Lift side (kg)*	4040 (3299)

09/2021

\*Lifting; the mass weight of slings / hitches / bucket to be deducted from the rated load to determine the net load that may be lifted.

Takeuchi machines come with a 2 year/2000 hours warranty as standard. Warranty exceptions to 1 year: fuel injection systems, electrical components, paint work and \*emission control items. (\*applicable models). Before fitment of a hydraulic attachment machine auxiliary pressure and flow should be accurately measured.

In accordance with our established policy of constant improvement, we reserve the right to amend these specifications at any time without notice. Photographs shown may feature non-standard equipment.

**TAKEUCHI**  
Japanese for Reliability