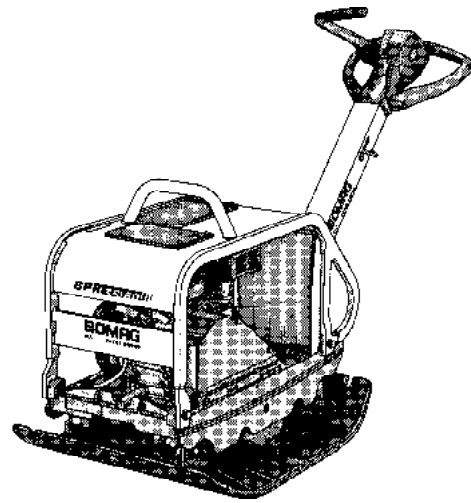


REVERSIBLE VIBRATORY PLATES BPR 35/42 D, BPR 35/60, BPR 35/60 D

PERFORMANCE DATA



Machine type	Compaction output (m ³ /h) at recommended soil layer thicknesses			
	Rock fill	Gravel, sand	Mixed soil	Silt, clay
BPR 35/42 D	-	21-30	17-24	10-15
BPR 35/60	-	21-30	17-24	10-15
BPR 35/60 D	-	21-30	17-24	10-15

Technical Data

Shipping dimensions in m3

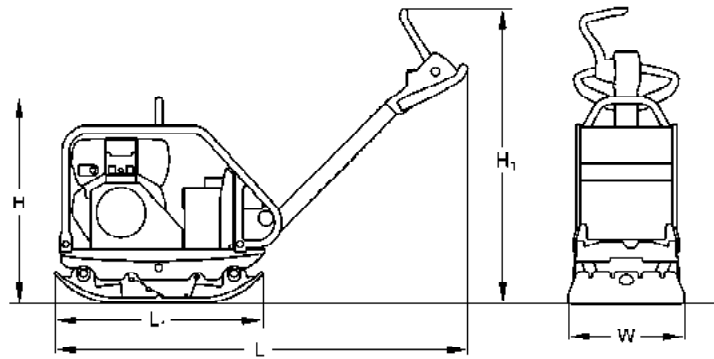
BPR 35/42 D	0,436
BPR 35/60	0,586
BPR 35/60 D	0,623

Standard

- Engine protection frame
- Single lever control
- Height adjustable steering rod
- Low vibration steering rod
- Steering rod lockable in transport and working position
- Vibration and throttle regulation on the steering rod
- Highly wear resistant base plate
- Fully protected V-belt
- Automatic shutdown at low oil level (BPR35/60)
- Automatic decompression (BPR35/42D, BPR35/60D)
- Recoil starter
- Back-up drive protection
- Automatic shutdown at low oil level

Options

- Fully closed engine protection hood made of high-strength steel (+15 kg)
- Transport wheels
- Electric starter (+21 kg)
- Tool kit
- Special painting
- Hour meter (El.-starter)
- Plastic mat
- Service Kit



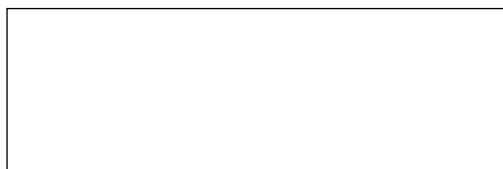
Dimensions in mm

	H	H1	L	L1	W
BPR 35/42 D	688	820	1510	762	420
BPR 35/60	647	820	1510	762	600
BPR 35/60 D	688	820	1510	762	600

Technical Data

	BOMAG BPR 35/42 D	BOMAG BPR 35/60	BOMAG BPR 35/60 D
Weights			
Operating weight CECE (W)	kg 190	180	205
Basic weight	kg 187	177	202
Dimensions			
Basic working width	mm 420	600	600
Lowest passing height	mm 688	647	688
Driving Characteristics			
Working speed, max.	m/min 27	27	27
Max. gradeability (depending on soil conditions)	% 32	32	32
Drive			
Engine manufacturer	Hatz	Honda	Hatz
Type	1B20	GX 160	1B20
Cooling	air	air	air
Number of cylinders	1	1	1
Performance ISO 9249	kW 3,1	3,6	3,1
Speed	min-1 3.000	3.600	3.000
Drive system	mech.	mech.	mech.
Fuel	diesel	gasoline	diesel
Exciter system			
Frequency	Hz 80	80	80
Centrifugal force	kN 35	35	35
Capacities			
Fuel	l 3	3,6	3

Technical modifications reserved. Machines may be shown with options.



BOMAG
Hellerwald
D-56154 Boppard
P.O. Box 5162
Tel. (0)6742 - 1000
Fax (0)6742 - 3090
Fax (0)6742 - 3090

BOMAG
FAYAT GROUP